

#### FEATURES

- ✦ Accepts mA/V inputs
- ✦ Built in Transmitter powering
- ✦ Square root / linear selection
- ✦ Powerful software features
- ✦ Fully configurable through keypad
- ✦ 5 digit rate of flow display
- ✦ 6 digit totaliser with battery back-up
- ✦ Optional retransmission output
- ✦ Optional alarm / Pulse output contacts
- ✦ 110 V / 220 V AC mains powered



#### About MCP2 ITP . . . . .

**MCP2-ITP** is an upgraded version of the conventional totaliser Model:MCP2-IT. The panel cutout dimensions of the instrument are same as MCP2-IT to facilitate easy replacement. MCP2-ITP is a microcontroller based totaliser, with front panel programmability to offer great flexibility to the user. Selection of input type, ranging, square root or linear conversion, alarms on rate of flow or count and even the selection of output type are all keypad configurable from the front panel. No dipswitch setting, jumper selection or screw driver adjustments are needed. Hence the operational reliability of the totaliser is at its best. The user can convert one of the alarm contacts to retransmit the pulse train to a remote electromechanical counter.

**MCP2-ITP** is offered in four different models to give cost effective and optimised solutions covering every requirement.

**MCP2-ITP-NN** is the basic model having 5 digit rate of flow display and 6 digit totaliser display and transmitter powering with all the necessary software features.

**MCP2-ITP-AN** is with 2 alarm contacts added to the basic model.

**MCP2-ITP-NT** is with retransmission output (mA/V configurable) added to the basic model.

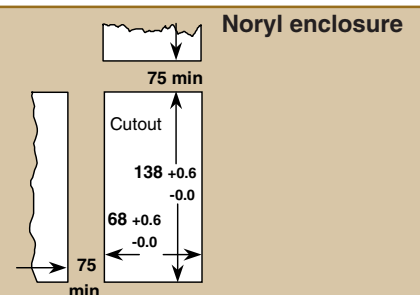
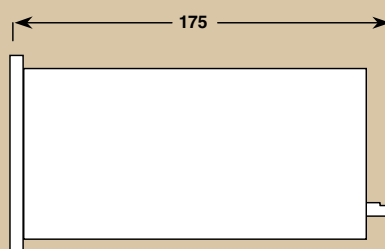
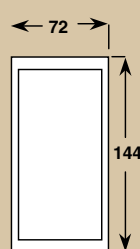
**MCP2-ITP-AT** is a full fledged totaliser with 2 alarms and a retransmission output added to the basic model.

#### GENERAL SPECIFICATIONS

**Power Supply** : 90 to 270V AC/ 50 to 60 Hz (5W).  
**Operating Temp.** : 0 to 55 °C.  
**Storage Temp.** : 0 to 70 °C.

**Humidity** : 0-90% (Non Condensing).  
**Mounting** : Flush panel.  
**Bezel** : 72mm (W) X 144mm (H).

#### DIMENSIONS : In mm and not to scale



## PERFORMANCE SPECIFICATIONS

### INPUT

#### Types and Accuracy

Input	Range	Accuracy
mA 1	4-20 mA	±0.1% FS
mA 2	0-20 mA <sup>1</sup>	±0.1% FS
V 1	1-5 V	±0.1% FS
V 2	0-10 V <sup>1</sup>	±0.1% FS

**Note 1:** User can define any special range with in the range limits indicated.

For example, user can fix a range of 2- 8volts which lies



with in the basic range limits of 0V and 10V.

**I/P Impedence:** 51Ω for mA, 1MΩ for Voltage.  
**Filter** : Programmable Digital Filter.  
**Tx. Powering** : 24V DC,30mA. Short circuit protected.

### DISPLAY

**Type** : Seven segment LED.  
**Size** : 8mm.  
**Range** : Rate of flow (5digits).  
 -19999 to 30,000.  
**Resolution** : Configurable upto four decimal places.

### TOTALISER

**No of Digits** : Six.  
**Back up** : By Ni-Cd rechargeable cells.  
**Resolution** : Configurable upto 3 decimal places.  
**Count rate** : Configurable upto 10,000 counts/hr.

### ALARMS (Optional)

**Types** : Hi/Lo on rate flow & Totaliser counter.  
**Setpoints & Hysteresis** : In Engg. units or in %.  
**Output** : Two Change over relay contacts  
 250 V AC, 5 A. (Non-inductive).

### RETRANSMISSION (Optional)

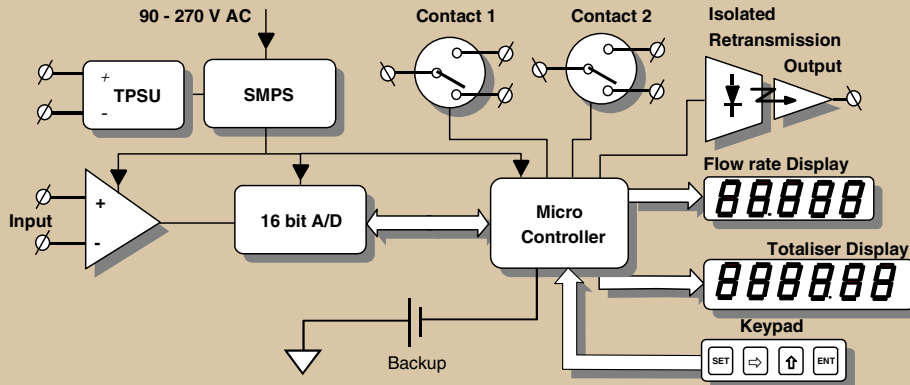
**Output** : 0-20mA / 4-20mA / 0-5 V / 1-5V / 0-10V  
 Selectable through front panel Keypad.  
**Accuracy** : ± 0.05% of FS (D/A accuracy only).  
**Load** : 600Ω (max.) for mA. 1KΩ (min.) for V.

### PROGRAMMABLE FEATURES

Totaliser cutoff limit for low signals.  
 Square root extraction selection.  
 Retransmission output type selection.  
 Repeating contact output for remote counter.

**For totaliser with 8 digit counter refer to Model Cutetot catalog**

## FUNCTIONAL SCHEMATIC



## ORDERING INFORMATION

Alarm	Retransmission	Model
Not provided	Not provided	MCP2-ITP - NN
Provided	Not provided	MCP2-ITP - AN

Alarm	Retransmission	Model
Not provided	Provided	MCP2-ITP - NT
Provided	Provided	MCP2-ITP - AT

## MEDICAL & CONTROL INSTRUMENTS HOUSE (I) PVT. LTD

# 14, Sakthi Srinivasan Salai, Kumaran Kudil, Thuraipakkam, Chennai 600 097. India.  
 Tel: +91 44 24580420, +91 9444579095 Fax: +91 44 24580320 Email: sales@mcih.in

[www.mcih.in](http://www.mcih.in)

Specifications are subject to change without any notice due to continuous development.