

FEATURES

- ◆ Powered from 4-20mA signal loop.
- ◆ 4 digit LCD display.
- ◆ Sq.root/Linear indication of Input.
- ◆ Fully keyboard programmable.
- ◆ Linear /Sq.root Selection.
- ◆ Alarm type, Value are Programmable.
- ◆ Rangeable in Engineering units.
- ◆ Alarm indication on display.
- ◆ Flush panel / Field Mounting.



About *Loopind*

Loopind is a Programmable Process Indicator which derives its power from the input signal itself. The field mounting version comes with weather proof ABS enclosure conforming to IP65 specifications. Panel mounted version comes in a dust proof ABS enclosure.

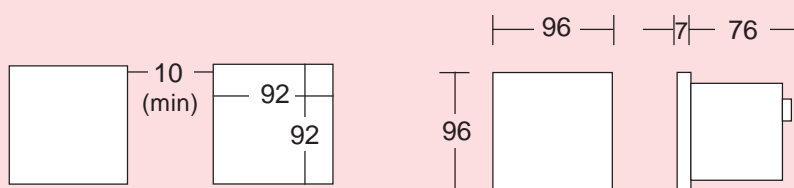
Loopind is a microcontroller based Indicator with full programmability at the Front Facia of the instrument without opening the cover at field. Loopind has a 4 digit LCD display which can indicate Bipolar ranges also. Though Loopind works like a simple field Indicator, it has many advantages over the conventional Loop-powered Indicators.

Loopind can also perform Limit Value Monitoring of the input signal and indicate the alarm status through the display. All parameters pertaining to a alarm indicator like Display minimum, Display maximum, Alarm types, Alarm Setpoints and Linear or Square-root response can be user configured from the front facia of the instrument. The embedded software of the loopind performs digital filtering of noisy input signal to give a stable and readable display. The time constant of the filter is also user configurable to suit the application. Loopind is available in two models to suit flush panel & field mounting

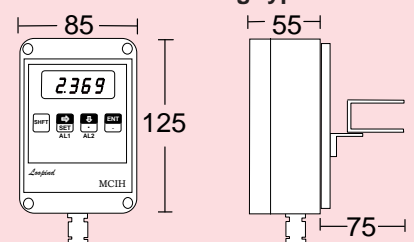
GENERAL SPECIFICATIONS

Power Supply : Powered by 4-20mA loop current. Seperate power supply not required.	Humidity : 0-90% (Non Condensing).
Operating Temp : 0 to 60°C.	Enclosure : ABS with splash proof keypad.
Storage Temp : 0 to 70 °C.	Mounting & Protection : Flush panel - Dust proof Field / wall mounting - IP 65

DIMENSIONS : In mm and not to scale



Field mounting type



PERFORMANCE SPECIFICATIONS

INPUT

Signal	: 4-20mA.
Accuracy	: $\pm 0.1\%$ of span.
Impedance	: Less than 250 Ohms.
Min.current	: 3mA required for normal functioning.
Filter type	: Programmable Digital Filter.
Filter time constant	: 0.2 Secs to 120 Secs.

DISPLAY

Type	: Seven Segment LCD, 12.5mm Character size.
Range	: -9999 to 9999 with 3 decimal points.
Units	: Configurable in % or Engineering.units.

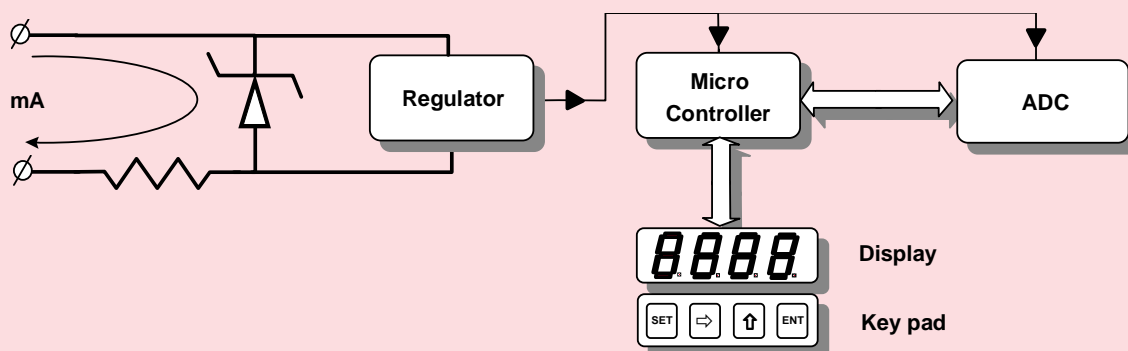
ALARMS

Types	: Hi/Lo - Keypad configurable.
Parameters	: Set point, Hysteresis configurable through keypad.
Units	: In terms of % or engineering.units.
Annunciation	: Alarm status indicated by LCD Display during alarm conditions

ACCESSORIES

Pipe/Wall mounting	: Clamp set for vertical & horizontal pipes / Base plate for wall mounting
Panel mounting	: Clamp set for panel mounting

FUNCTIONAL SCHEMATIC



ORDERING INFORMATION

For Flush panel mounting **MODEL : Loopind - P.**

For Field mounting **MODEL : Loopind - F.**

No other ordering information is required as the indication and alarm values are user programmable

MEDICAL & CONTROL INSTRUMENTS HOUSE (I) PVT. LTD

14, Sakthi Srinivasan Salai, Kumaran Kudil, Thuraipakkam, Chennai 600 097. India.
Tel: +91 44 24580420, +91 9444579095 Fax: +91 44 24580320 Email: sales@mcih.in

www.mcih.in

Specifications are subject to change with out any notice due to continuous development.